

1. Description

The GenMaax series of high output alternators are designed to fit the industry standard mount points. Available in a range of outputs (165 to 250 amps) driven by a serpentine belt to guarantee performance, the GenMaax provides a robust design and reliable, high-performance service.

The case housings of a GenMaax alternator are CNC machined from solid aluminum which provides optimal strength, cooling, and accuracy. All alternators are hand-built and 100% tested to ensure the highest performance in the most adverse conditions.

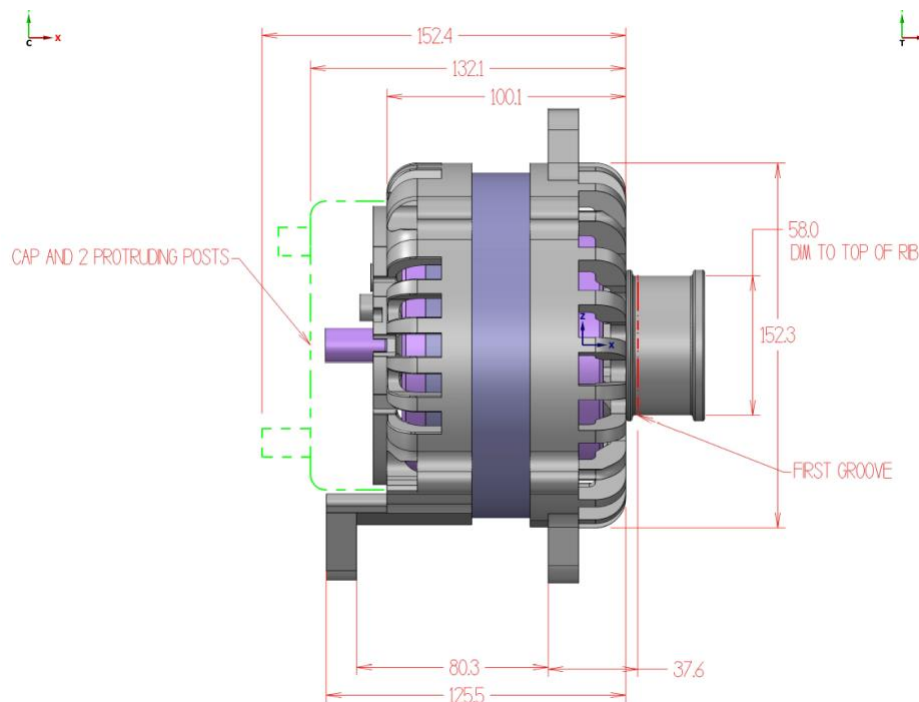
2. Specifications

Parameter	Value	Units
Tension Arm	Multi Position	
Rotor / Stator	12 Pole	
Operating Speed	18,000	RPM
Intermittent Speed	19,000	RPM
Field Output	Dual Field Post (P or N)	
Stator Output	3Leads connect to Remote Rectifier	
Bearings	Sealed, Heavy Duty, Lubricated	
Temperature Limits	-40 F to 302 (-40 to150 °C)	Deg F
Weight	7.1	Kgm

3. Dimensional outline:

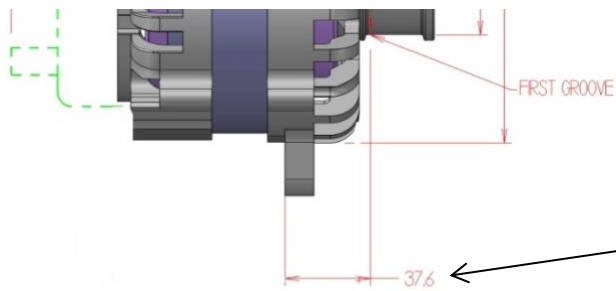
Four mounting configurations are available;

1. Saddle Mount (Shown)
2. Foot Mount 1"
3. Foot Mount 2"
4. J180 Mount (Volvo)



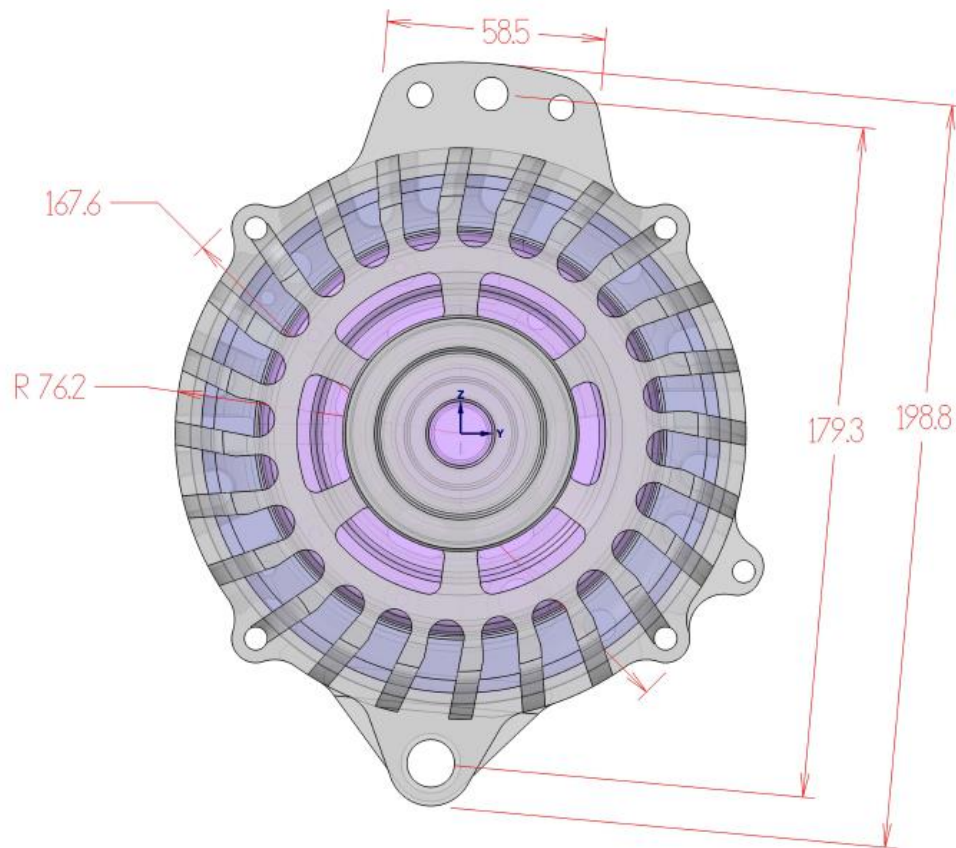
Saddle Mount –Side View

All units are millimeters

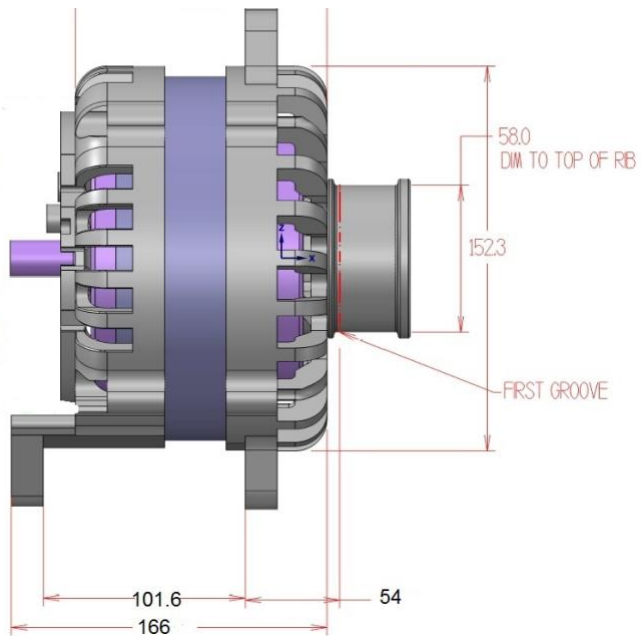


The 2" foot mount is supplied with dual spacers. A combination of front and rear spacers provide the 2" mount. The 37.6 dimension increases to 69.6 mm, the mount bolt size is reduced from 1/2" to 10mm.

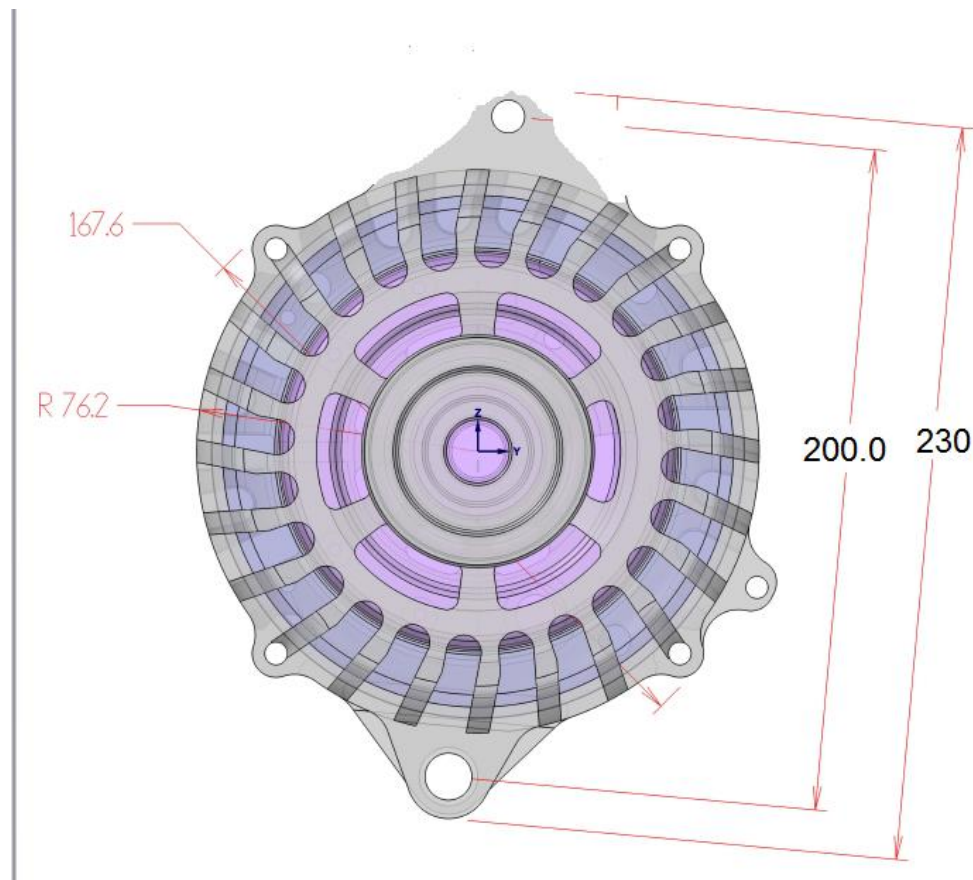
Foot Mount – Side View 1" shown:



Saddle & Foot Mount Front View



180 J Mount Side View

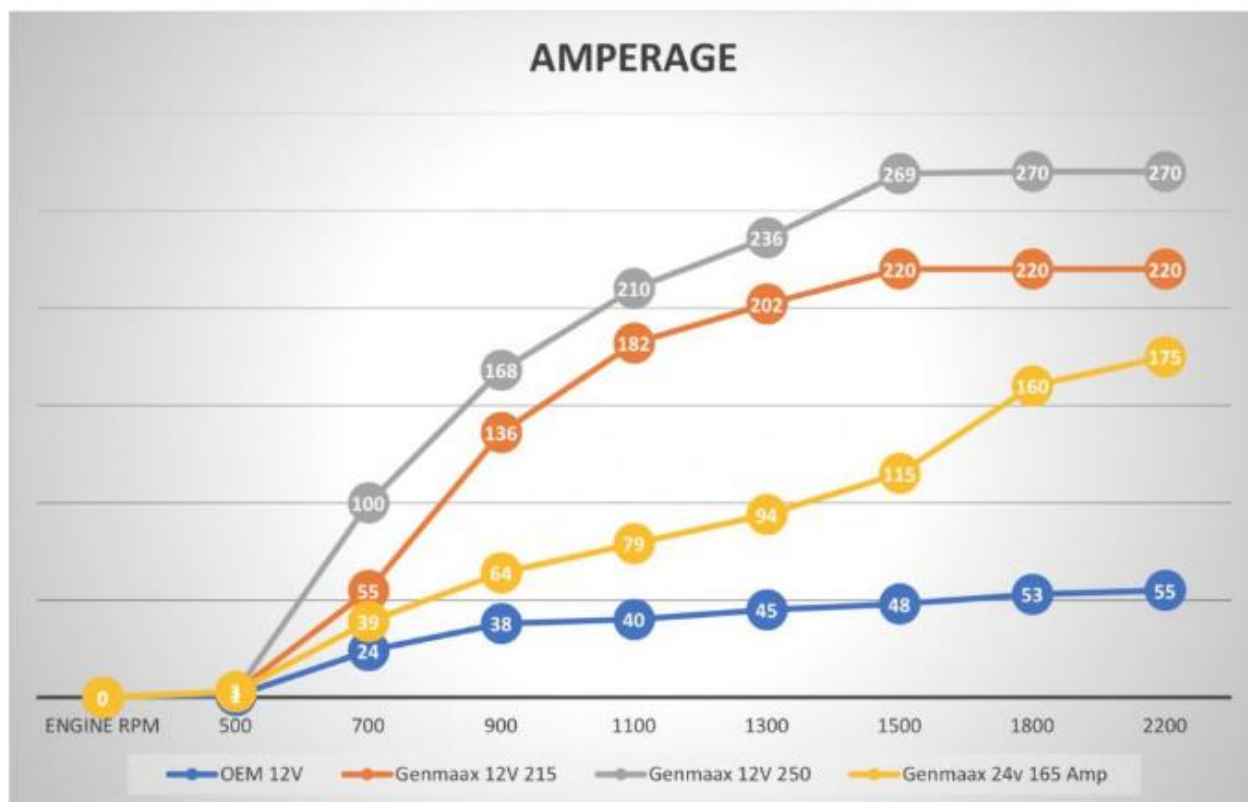


180 J Mount Front View

3. Electrical specifications

Parameter	Value	Units
Maximum Output	250	Amps
Regulation	Internal Dual Stage	
Field Polarity	P* or N*	

*P or N type polarity Field control requires an external regulator.



***2.25:1 Ratio, Hot Rating**

Notice

ElectroMaax reserves the right to make product modifications or discontinue products without notice. Customers are advised to obtain latest written specifications prior to ordering products. Information provided by ElectroMaax is believed to be accurate at the time of its release. Products sales are subject to the ElectroMaax Terms of Sales in force at the time of order acknowledgment. ElectroMaax products are not designed, authorized, or warranted for use in life support devices and systems, or any other critical applications which may involve death, injury, property or environmental damages. Using ElectroMaax products for any critical application is fully at the risk of the customers and their end users and assigns.